



Just Art

DOCENT PROGRAM

CREATED BY: RACHEL A. DILLON

“Eagles Art has taught students about dozens of artists from across the globe. It’s a truly special program.”

- DAVID FRANKEL, PRINCIPAL AT GOLD RIDGE ELEMENTARY



MY PHILOSOPHY AND PROGRAM

Art can give kids the confidence to try something without fearing failure. Now more than ever, children need to be encouraged to think outside the box and recognize the beauty of their individuality.

The Just Art Docent Program is for children grades kindergarten to fifth. The program consists of six years of the curriculum so that a student won't overlap projects. Gold Ridge Elementary School is currently using it.

The program provides **six art docent lessons per school year**.

Each lesson is a one-hour PowerPoint presentation focusing on one of the following as inspiration:

- An artist (both male and female, current and historical)
- Art theory
- Cultural art
- Children book author/illustrators
- and a step-by-step art lesson

To assist your school art docent coordinators, Just Art provides:

- A summary sheet with a supply list and California core art skills covered in the lesson.
- A list of required mediums needed to produce each project.
- PowerPoint presentation for each lesson.

To make Just Art more powerful, I devote one evening per month to provide hands-on training for the art docents of your school to give them the confidence to teach the project, not to mention having a blast doing the art project themselves.

“I love this art program! It's absolutely wonderful. I even sit down and do the project with the students.”

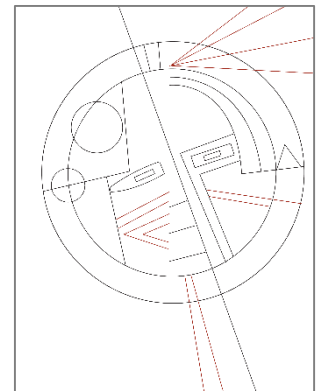
- FOURTH GRADE TEACHER AT GOLD RIDGE ELEMENTARY

MY PHILOSOPHY AND PROGRAM



The PowerPoint deck contains extra notes to help the art docent. It also includes fun questions to engage the learners.

At times, younger students might need a little assistance with the background of a project, I have created handouts the docent can copy and distribute. This is useful when the project's focus is on painting and color-mixing.



“Eagles Art is one of my favorite things I do at school. Every month I love to learn about a new artist and try to make a piece of art like theirs. It is so fun.”

- FRANK, A FIFTH-GRADER AT GOLD RIDGE ELEMENTARY.

SOME OF THE ARTISTS REPRESENTED

Henri Matisse

Claude Monet

Wyland

Bev Doolittle

Steve Jenkins

Frida Kahlo

Faith Ringgold

Leonardo Da Vinci

Marcus Pfister

Mary Cassatt

Salvador Dali

Claire Basler

Sandra Boynton

Gregory Kondos

Vivienne Williams

Vincent Van Gogh

Rene Margritte

Yayoi Kusama



RACHEL DILLON'S BIOGRAPHY

Rachel Dillon graduated from the University of Wisconsin, Madison in 1994, with a Bachelor of Science in Art, emphasizing in Graphic Design.

In 2009, her non-fiction children's book, "Through Endangered Eyes – a poetic journey into the wild," was published by Windward Publishing, an imprint of Finney Company. She both wrote and illustrated it.

Her book received an Eric Hoffer Honorable Mention award in 2010. Rachel has been a featured artist in "Wildscape Magazine," a contributing artist in gallery and museum exhibitions, and a speaker at Art Educator conventions and conferences. The Nature Conservancy commissioned Rachel to produce two paintings for them in 2015.

Rachel taught art and developed the art curriculum at Brighton Private Elementary School in Folsom from 2012-2015. From 2014-2020,

Rachel developed an Art Docent curriculum, which is in use by Gold Ridge Elementary. Based on its success, she wants to start offering the program to other elementary schools in the area.

Rachel works as a full-time instructional designer for a global financial company. She is also an instructor at CSUS-CCE, teaching eLearning Visual Design and Architecture, and Instructional Design 101.

In 2019, Rachel earned her graduate certificate in Instructional Design from the University of California, Irvine.

FOR MORE INFORMATION PLEASE EMAIL
RdillonElearning@gmail.com or call 916-850-5062